

%100 Recyclable



Food Grade

Product Details

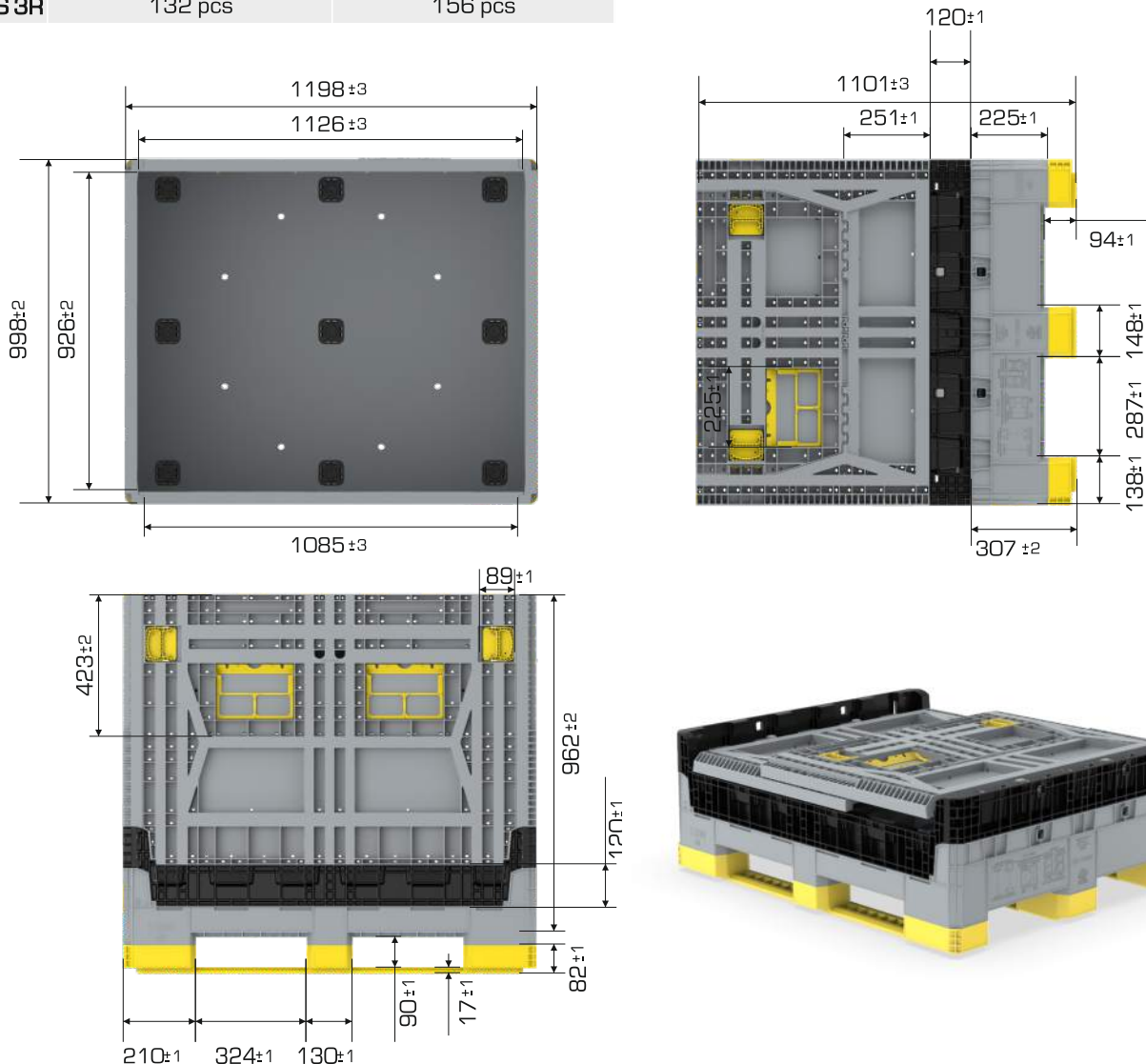
Product Type	External Dimensions	Internal Dimensions	Weight	Folded Height
1210-1100DS 3R	998x1198x1101 (h)mm	926x1126x962 (h)mm	54.257 gr PPC (±3%)	427 mm

Loading Capacities

Product Type	Usable Volume	Unit Load	Static	Dynamic	Racking
1210-1100DS 3R	985 lt	900 kg	5.400 kg	1.800 kg	900 kg

Loading Information

Product Type	40'HC	Truck
1210-1100DS 3R	132 pcs	156 pcs



Branding Solutions

Digital Printing	Laser Printing	Screen Printing	Hot Stamping	Cliche	Labeling	RFID
✓	✓	✓	✓	✓	✓	✓