



**Product Details**

Product Type	External Dimensions	Internal Dimensions	Weight	Usable Volume
H76 Spanzeted	1.012x1213x793 (h)mm	912x1.112x570 (h)mm	45.370 gr HDPE (±3%)	585 lt

**Loading Capacities**

Product Type	Unit Load	Static	Dynamic	Racking
H76 Spanzeted	450 kg	2.500 kg	350 kg	X

**Loading Information**

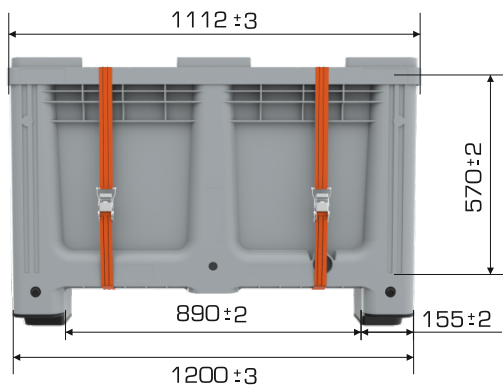
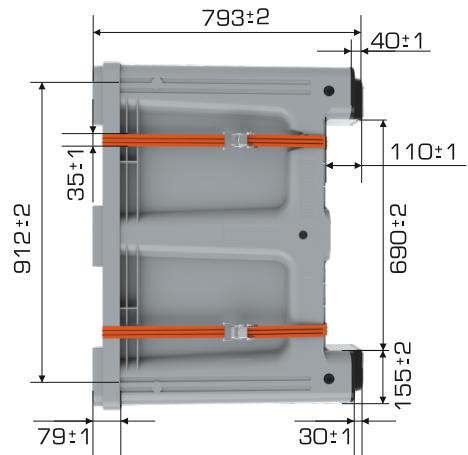
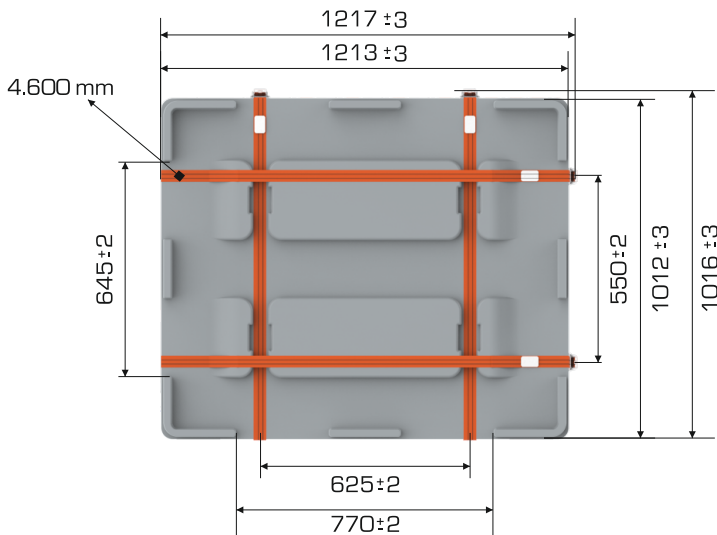
Product Type	40'HC	Truck
H76 Spanzeted	66 pcs	78 pcs



%100 Recyclable



Food Grade



**Branding Solutions**

Digital Printing	Laser Printing	Screen Printing	Hot Stamping	Cliche	Labeling	RFID
✓	✓	✓	✓	✓	✓	✓