

Body



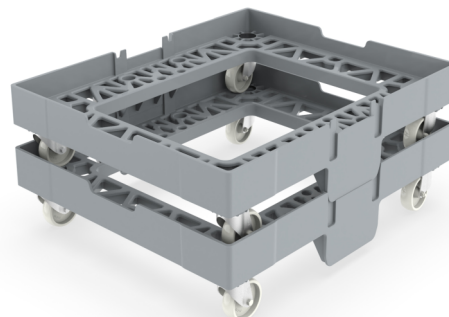
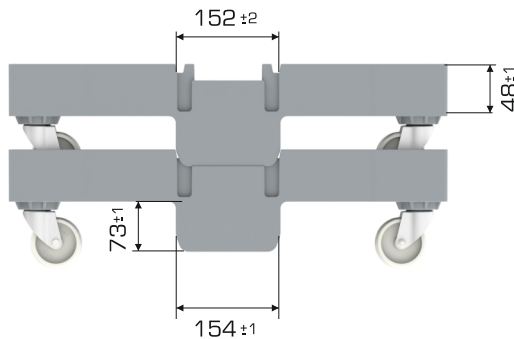
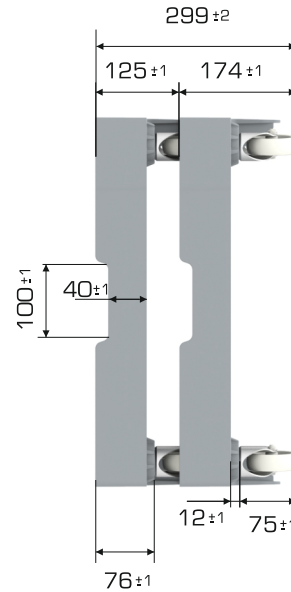
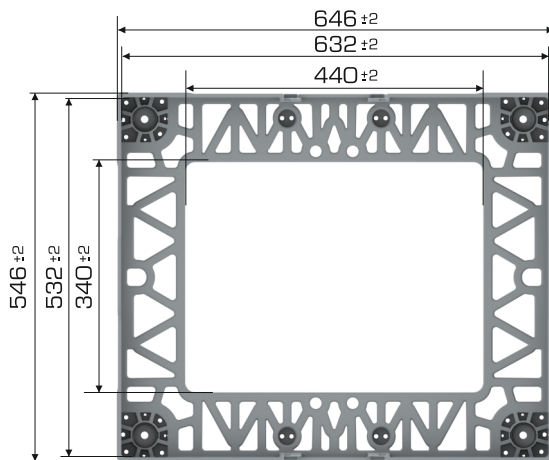
100% Recyclable Food Grade

Product Details

Product Type	External Dimensions	Internal Dimensions	Weight	Static	Dynamic	Unit Load	Dual Height	2 nd Height
5464 Body	546x646x149 (h)mm	340x440x48 (h)mm	2.700 gr PPC (±3%)	X	X	X	274 (h)mm	+125 mm
5464 With Wheels	546x646x174 (h)mm		3.812 gr PPC (±3%)	150 kg	150 kg	150 kg	299 (h)mm	

Loading Information

Product Type	40'HC	Truck
5464 Body	1.368 pcs	1.936 pcs
5464 With Wheels		



Branding Solutions

Digital Printing	Laser Printing	Screen Printing	Hot Stamping	Cliche	Labeling	RFID
✓	✓	✓	✓	✓	✓	✓