

100% Recyclable Food Grade

**Product Details**

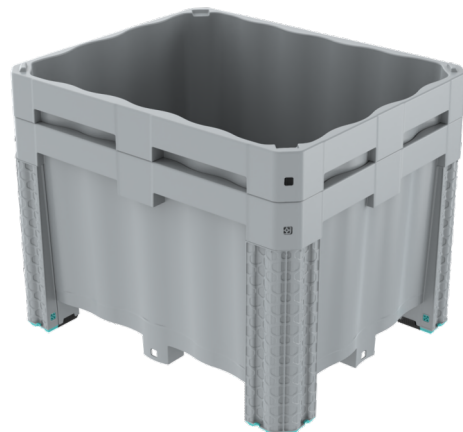
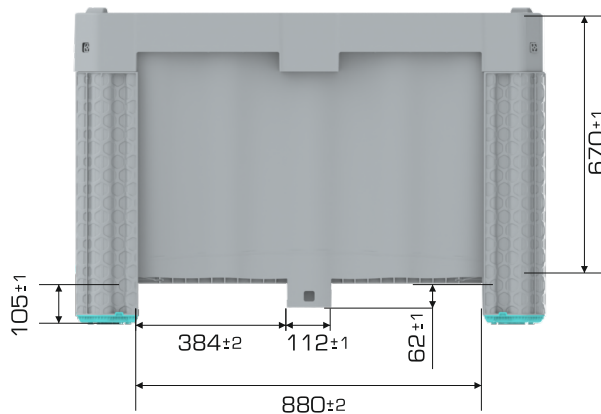
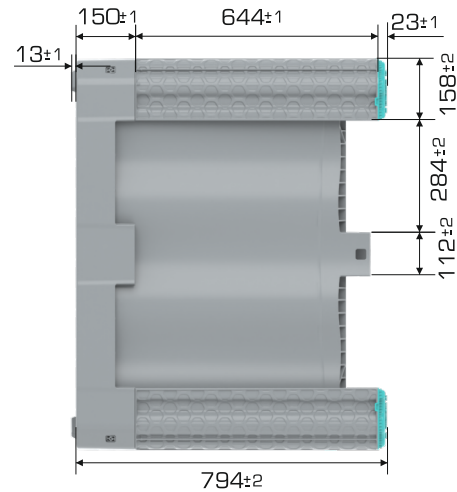
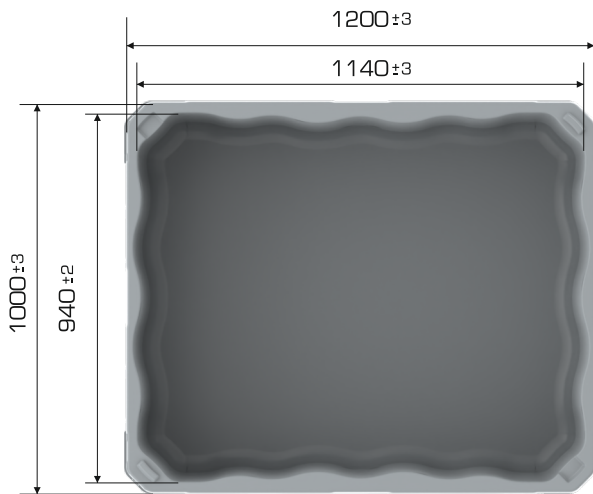
Product Type	External Dimensions	Internal Dimensions	Weight	Nested Height
YOYOBIN 1012 S-NS-E	1.000x1.200x807 (h)mm	940x1.140x670 (h)mm	27.440 gr PPC (±0.3)	+ 150 mm

**Loading Capacities**

Product Type	Usable Volume	Unit Load	Static	Dynamic	Racking
YOYOBIN 1012 S-NS-E	640 lt	500 kg	5.000 kg	1.500 kg	500 kg

**Loading Information**

Product Type	40'HC	Truck
YOYOBIN 1012 S-NS-E	264 pcs	364 pcs



**Branding Solutions**

Digital Printing	Laser Printing	Screen Printing	Hot Stamping	Cliche	Labeling	RFID
✓	✓	✓	✓	✓	✓	✓