

100% Recyclable Food Grade

Product Details

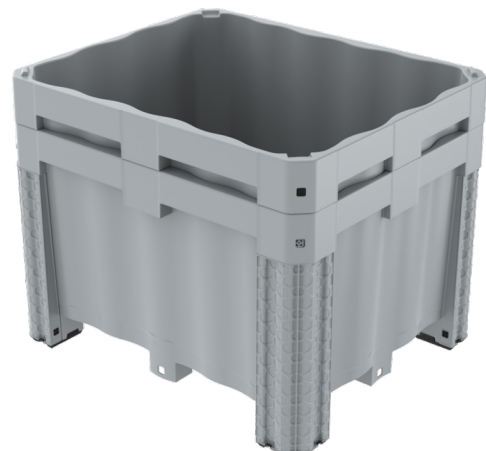
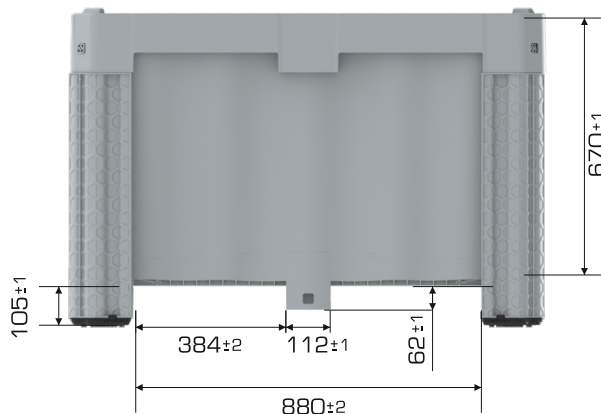
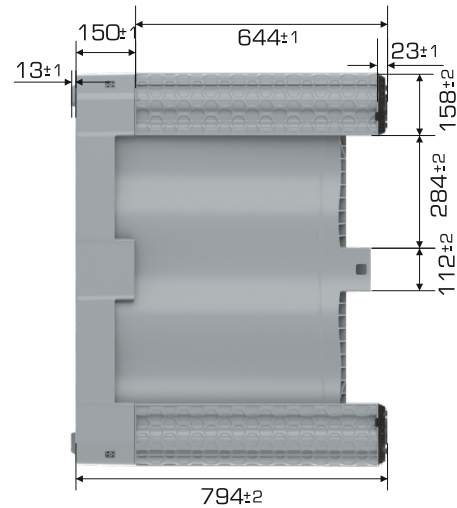
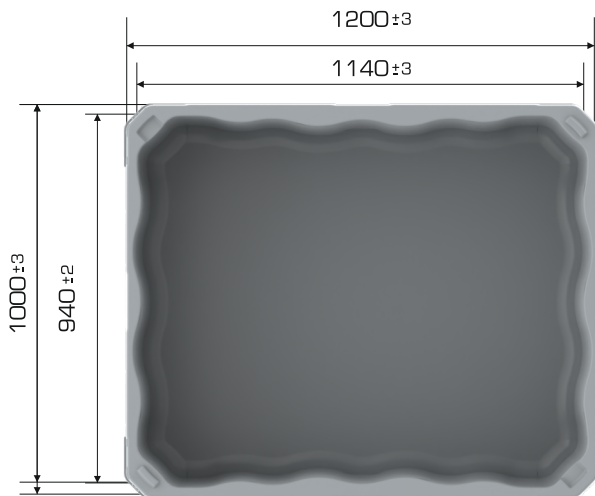
| Product Type | External Dimensions | Internal Dimensions | Weight | Nested Height |
|---------------------|-----------------------|---------------------|----------------------|---------------|
| YOYOBIN 1012 S-NS-L | 1.000x1.200x807 (h)mm | 940x1.140x670 (h)mm | 27.300 gr PPC (±0.3) | + 150 mm |

Loading Capacities

| Product Type | Usable Volume | Unit Load | Static | Dynamic | Racking |
|---------------------|---------------|-----------|----------|----------|---------|
| YOYOBIN 1012 S-NS-L | 640 lt | 500 kg | 5.000 kg | 1.500 kg | 500 kg |

Loading Information

| Product Type | 40'HC | Truck |
|---------------------|---------|---------|
| YOYOBIN 1012 S-NS-L | 264 pcs | 364 pcs |



Branding Solutions

| Digital Printing | Laser Printing | Screen Printing | Hot Stamping | Cliche | Labeling | RFID |
|------------------|----------------|-----------------|--------------|--------|----------|------|
| ✓ | ✓ | ✓ | ✓ | ✓ | ✓ | ✓ |