

100% Recyclable Food Grade

Product Details

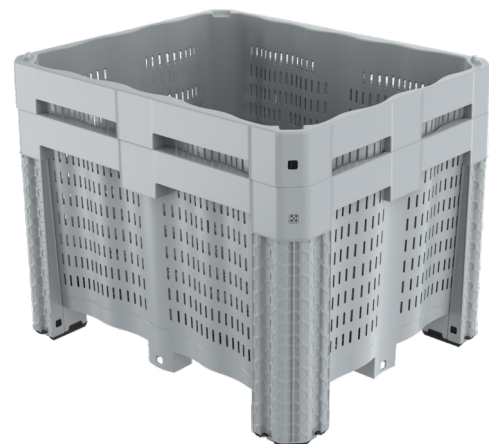
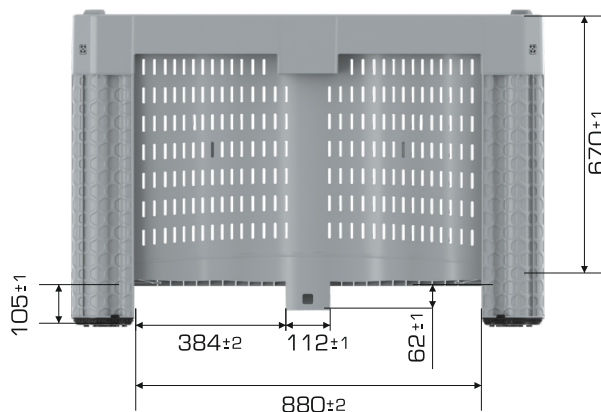
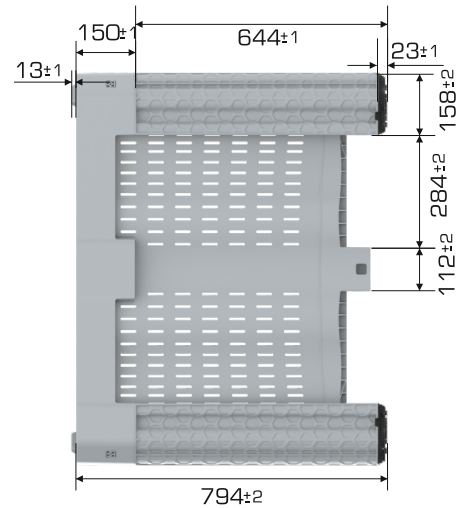
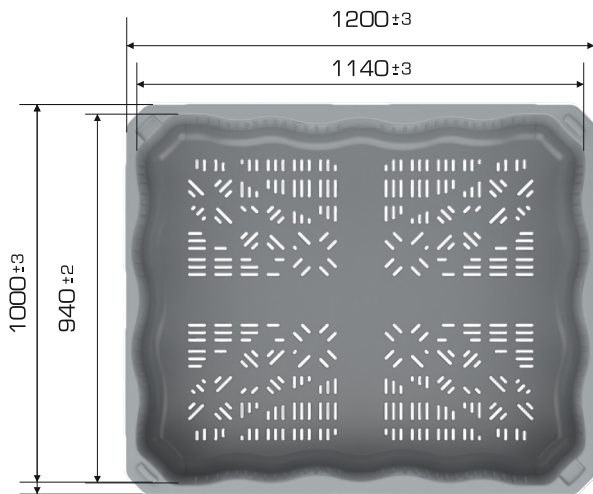
Product Type	External Dimensions	Internal Dimensions	Weight	Nested Height
YOYOBIN 1012 V-NS-L	1.000x1.200x807 (h)mm	940x1.140x670 (h)mm	26.300 gr PPC (±0.3)	+ 150 mm

Loading Capacities

Product Type	Usable Volume	Unit Load	Static	Dynamic	Racking
YOYOBIN 1012 V-NS-L	640 lt	500 kg	5.000 kg	1.500 kg	500 kg

Loading Information

Product Type	40'HC	Truck
YOYOBIN 1012 V-NS-L	264 pcs	364 pcs



Branding Solutions

Digital Printing	Laser Printing	Screen Printing	Hot Stamping	Cliche	Labeling	RFID
✓	✓	✓	✓	✓	✓	✓