



100% Recyclable Food Grade

Product Details

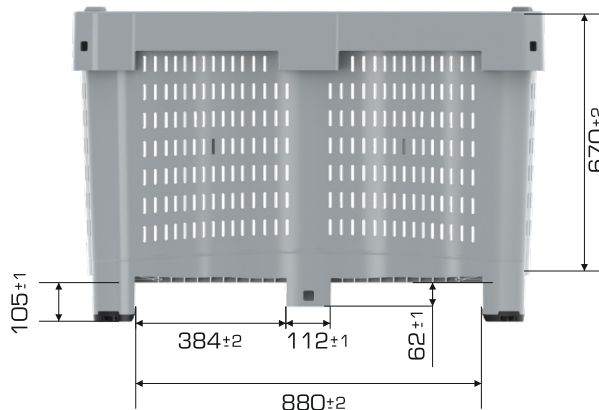
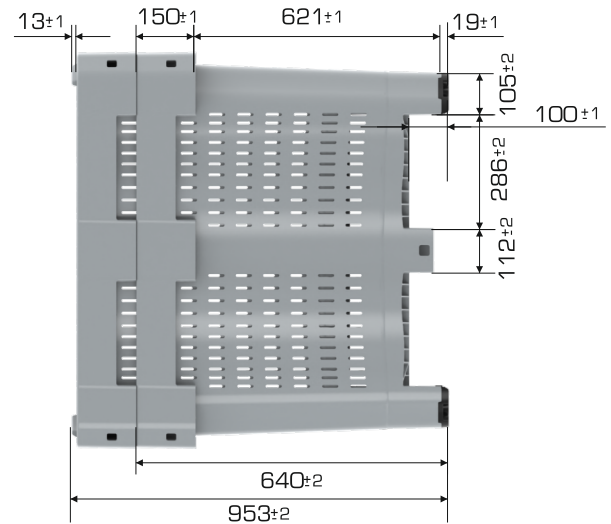
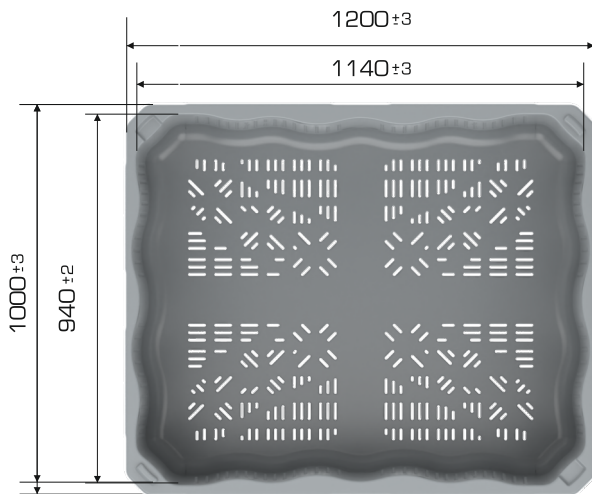
Product Type	External Dimensions	Internal Dimensions	Weight	Nested Height
YOYOBIN 1012 V-NS-P	1.000x1.200x803 (h)mm	940x1.140x670 (h)mm	19.400 gr PPC (±0.3)	+ 150 mm

Loading Capacities

Product Type	Usable Volume	Unit Load	Static	Dynamic	Racking
YOYOBIN 1012 V-NS-P	640 lt	500 kg	500 kg	500 kg	X

Loading Information

Product Type	40'HC	Truck
YOYOBIN 1012 V-NS-P	264 pcs	364 pcs



Branding Solutions

Digital Printing	Laser Printing	Screen Printing	Hot Stamping	Cliche	Labeling	RFID
✓	✓	✓	✓	✓	✓	✓