



2 Runners



3 Runners



With Wheels



%100 Recyclable



Food Grade

Product Details

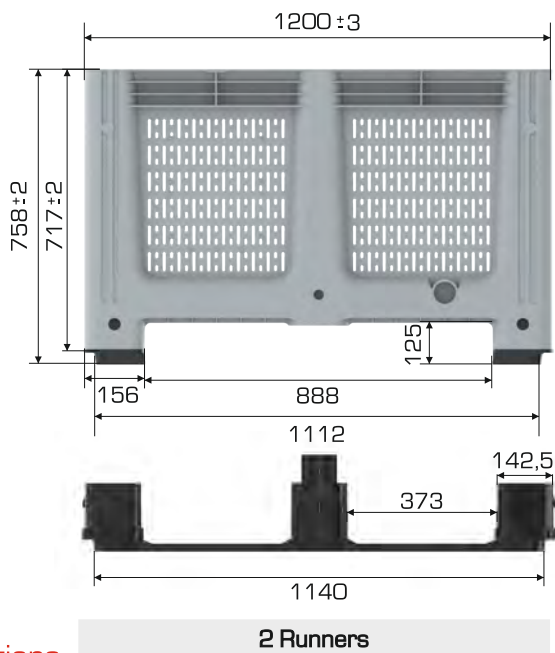
Product Type	External Dimensions	Internal Dimensions	Weight	Usable Volume
Feet	1000x1200x758 (h)mm	912x1112x600 (h)mm	34.190 gr HDPE (±3%)	610 lt
2 Runners	1000x1200x780 (h)mm		37.250 gr HDPE (±3%)	
3 Runners	1000x1200x780 (h)mm		40.050 gr HDPE (±3%)	
With Wheels	1000x1200x913 (h)mm		38.590 gr HDPE (±3%)	

Loading Capacities

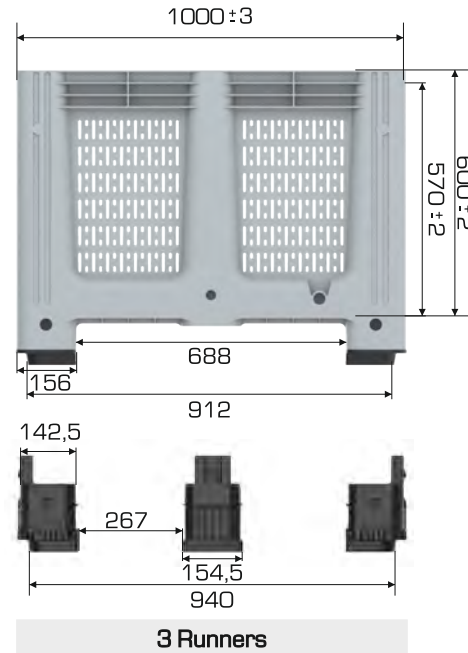
Product Type	Unit Load	Static	Dynamic	Racking
Feet	450 kg	4.500 kg	450 kg	X
2 Runners				450 kg
3 Runners				450 kg
With Wheels				X

Loading Information

Product Type	40'HC	Truck
Feet	88 pcs	104 pcs
2/3 Runners		
With Wheels	66 pcs	78 pcs



2 Runners



3 Runners

Branding Solutions

Digital Printing	Laser Printing	Screen Printing	Hot Stamping	Cliche	Labeling	RFID
✓	✓	✓	✓	✓	✓	✓