



2 Runners



3 Runners



With Wheels



%100 Recyclable



Food Grade

**Product Details**

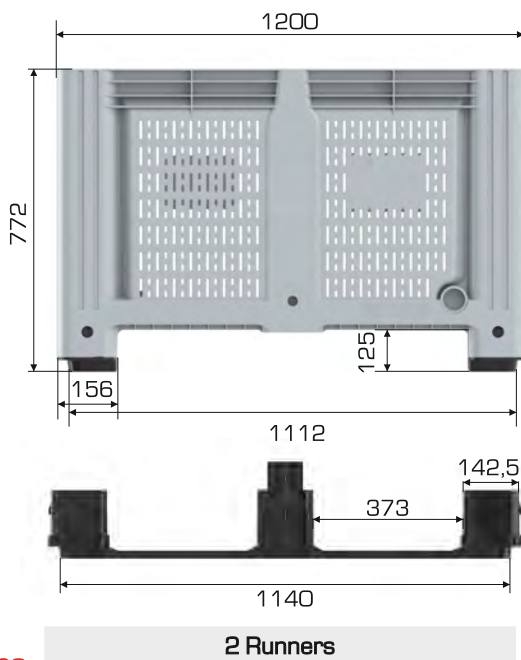
Product Type	External Dimensions	Internal Dimensions	Weight	Usable Volume
Feet	1000x1200x772 (h)mm	912x1112x615 (h)mm	32.980 gr PPC / 34.800 gr HDPE(±3%)	670 lt
2 Runners	1000x1200x795 (h)mm		35.680 gr PPC / 37.500 gr HDPE(±3%)	
3 Runners	1000x1200x795(h)mm		38.780 gr PPC / 40.600 gr HDPE(±3%)	
With Wheels	1000x1200x927 (h)mm		37.380 gr PPC / 39.200 gr HDPE(±3%)	

**Loading Capacities**

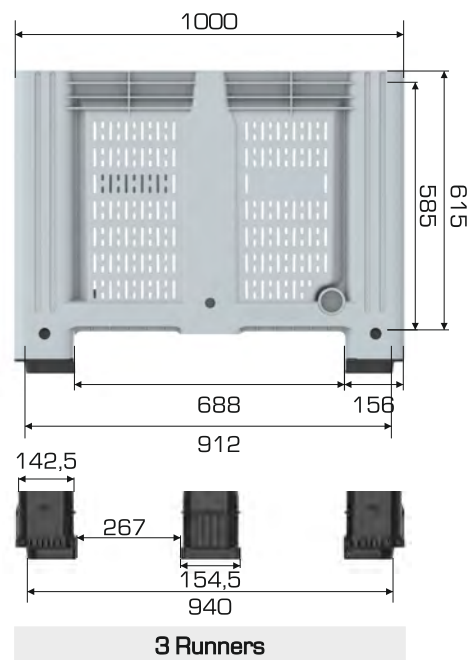
Product Type	Unit Load	Static	Dynamic	Racking
Feet	450 kg	4.500 kg	500 kg	X
2 Runners				450 kg
3 Runners				
With Wheels				X

**Loading Information**

Product Type	40'HC	Truck
Feet	88 pcs	104 pcs
2/3 Runners		
With Wheels		



2 Runners



3 Runners

**Branding Solutions**

Digital Printing	Laser Printing	Screen Printing	Hot Stamping	Cliche	Labeling	RFID
✓	✓	✓	✓	✓	✓	✓