



2 Runners



3 Runners



With Wheels



%100 Recyclable



Food Grade

Product Details

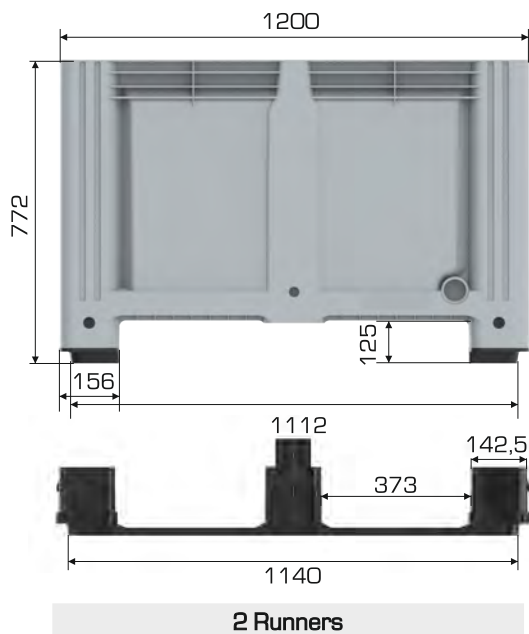
Product Type	External Dimensions	Internal Dimensions	Weight	Usable Volume
Feet	1000x1200x772 (h)mm	912x1112x615 (h)mm	35.000 gr PPC / 36.040 gr HDPE(±3%)	670 lt
2 Runners	1000x1200x795 (h)mm		37.000 gr PPC / 39.500 gr HDPE(±3%)	
3 Runners	1000x1200x795(h)mm		40.550 gr PPC / 42.200 gr HDPE(±3%)	
With Wheels	1000x1200x927 (h)mm		38.100 gr PPC / 40.500 gr HDPE(±3%)	

Loading Capacities

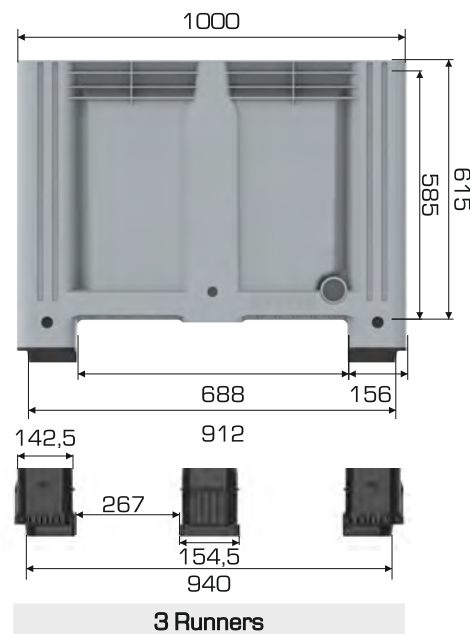
Product Type	Unit Load	Static	Dynamic	Racking
Feet	500 kg	4.500 kg	500 kg	X
2 Runners				500 kg
3 Runners				500 kg
With Wheels				X

Loading Information

Product Type	40'HC	Truck
Feet	88 pcs	104 pcs
2/3 Runners		
With Wheels	66 pcs	78 pcs



2 Runners



3 Runners

Branding Solutions

Digital Printing	Laser Printing	Screen Printing	Hot Stamping	Cliche	Labeling	RFID
✓	✓	✓	✓	✓	✓	✓