

%100 Recyclable



Food Grade

**Product Details**

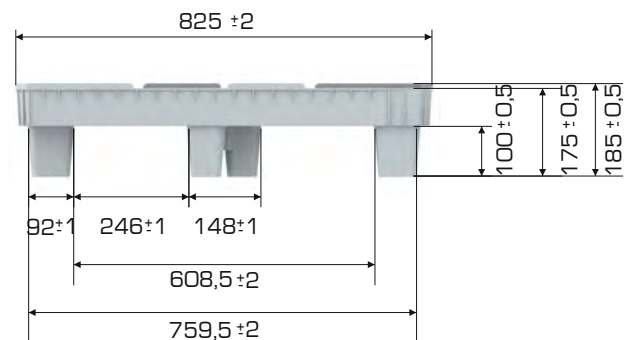
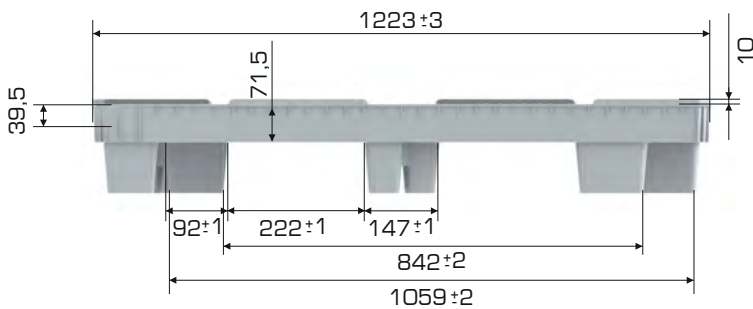
Product Type	Dimensions	Weight	Overlap Height
MIRROR PALLET	825x1223x185 (h)mm	7.200 gr HDPE (±3%)	260 mm / +75 mm ↑

**Loading Capacities**

Product Type	Static	Dynamic	Racking
MIRROR PALLET	1.000 kg	1.000 kg	X

**Loading Informations**

Product Type	40' HC	Truck
MIRROR PALLET	736 pcs	1.155 pcs



**Branding Solutions**

Digital Printing	Laser Printing	Screen Printing	Hot Stamping	Cliche	Labeling	RFID
✓	✓	✓	✓	✓	✓	✓