

3 Runners



%100 Recyclable



Food Grade

Product Details

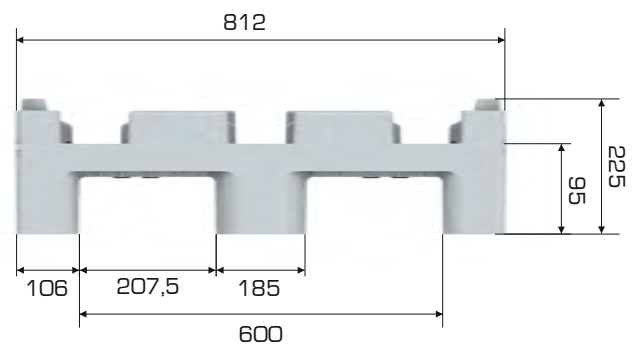
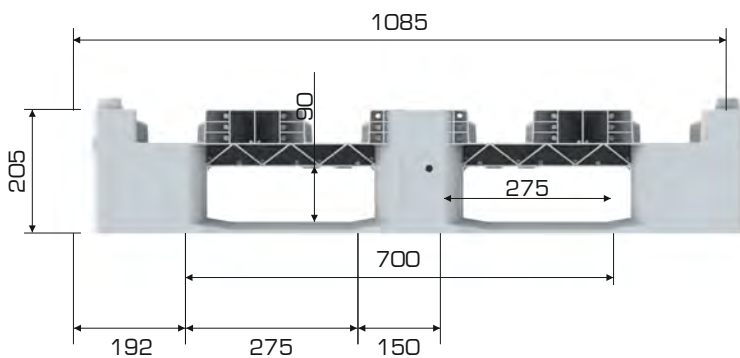
Product Type	Dimensions	Weight	Overlap Height
JUG PALLET OD 2R	812x1086x225 (h)mm	13.400 gr PPC (±±3)	430 mm
JUG PALLET OD 3R		14.450 gr PPC (±±3)	

Loading Capacities

Product Type	Static	Dynamic	Racking
JUG PALLET OD 2R	1.600 kg	800 kg	X
JUG PALLET OD 3R			800 kg

Loading Informations

Product Type	40'HC	Truck
JUG PALLET OD 2R	336 pcs	432 pcs
JUG PALLET OD 3R		



Branding Solutions

Digital Printing	Laser Printing	Screen Printing	Hot Stamping	Cliche	Labeling	RFID
✓	✓	✓	✓	✓	✓	✓