

%100 Recyclable



Food Grade

Pallet Details

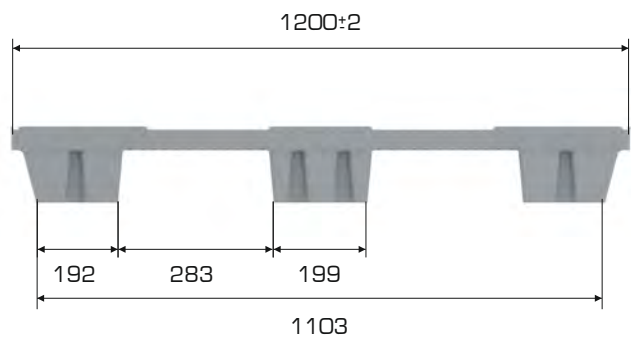
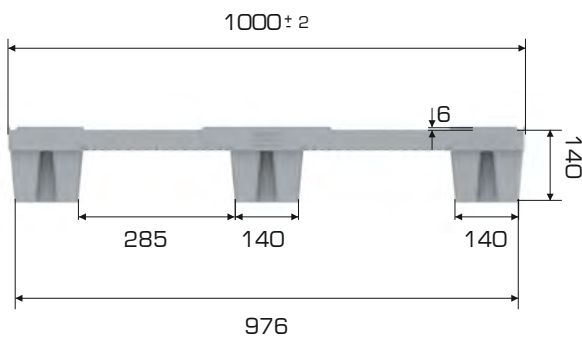
Pallet Type	Dimensions	Weight	Overlap Height
EXP-100120 2K 0D	1000x1200x140 (h)mm	7.300 gr PPC / 7.900 gr HDPE(±3%)	192 mm / +52 mm ↑

Pallet Capacities

Pallet Type	Static	Dynamic	Racking
EXP-100120 2K 0D	2.200 kg	1.000 kg	X

Loading Information

Pallet Type	40' HC	Truck
EXP-100120 2K 0D	902 pcs	1.300 pcs



Branding Solutions

Digital Printing	Laser Printing	Screen Printing	Hot Stamping	Cliche	Labeling	RFID
✓	✓	✓	✓	✓	✓	✓