

%100 Recyclable



Food Grade

Product Details

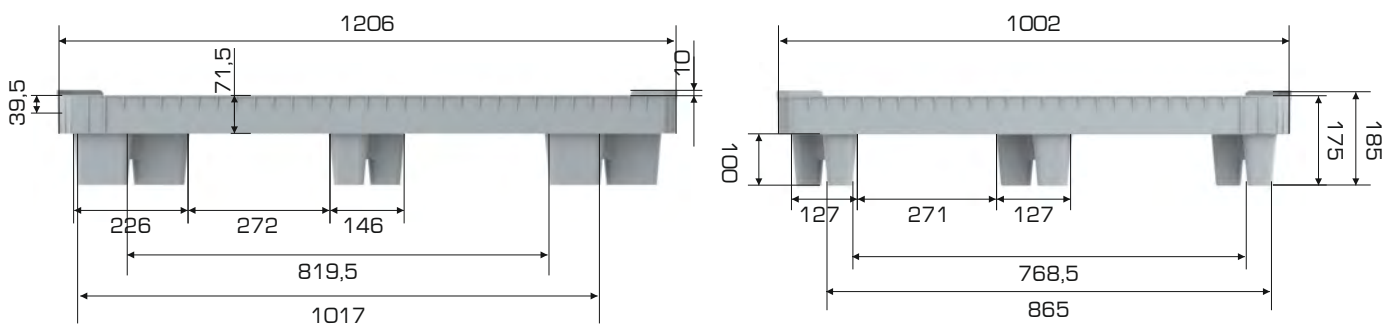
Product Type	Dimensions	Weight	Overlap Height
MIRROR PALLET	1002x1206x185 (h)mm	8.450 gr HDPE (±3%)	260 mm / +75 mm ↑

Loading Capacities

Product Type	Static	Dynamic	Racking
MIRROR PALLET	1.000 kg	1.000 kg	X

Loading Informations

Product Type	40'HC	Truck
MIRROR PALLET	672 pcs	910 pcs



Branding Solutions

Digital Printing	Laser Printing	Screen Printing	Hot Stamping	Cliche	Labeling	RFID
✓	✓	✓	✓	✓	✓	✓